



NST-2003

CE Approved:
MD, EMC, LVD

Category 2/3, EN 954-1

(By 2-channel operation)

- 22,5 mm slim line emergency stop relay
- Transistor output for PLC monitoring
- New house types
- Choice between fixed and detachable terminals
- New voltage versions
- Same number of contacts as bigger and more space demanding relays

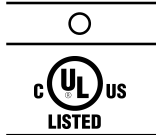
Function:

Small and powerful emergency stop relay for monitoring of emergency stop and other safety arrangements, with the same applications as NST-3, but with transistor output for PLC monitoring and separate voltage output. Now also available in a 48-240 VAC version.

Technical facilities regarding safety requirements:

- Forced contacts
- Doubling of output contacts
- Redundancy of emergency stop
- Manual / automatic reset

Approvals:



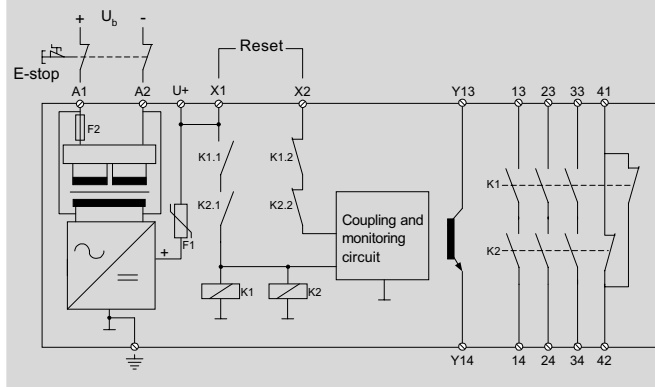
○ Awaiting approval

User's advantages:

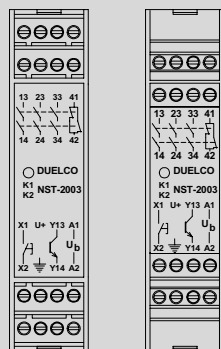
- 3 NO contacts, 250 VAC / 6 A / 1500 VA
- 1 NC contact, 250 VAC / 6 A / 1500 VA
- 1 transistor output for PLC monitoring
- Supply voltages: 24 V AC/DC, 48 - 240 VAC ± 10%
- Terminal X2 current limited (max. 150 mA)
- 22,5 mm housing with or without detachable terminals
- LED indication of output status for K1 and K2
- Separate 24 VDC output for e.g. PLC monitoring or indication of supply voltage
- AC/DC supply results in protection against wrong polarization
- Connection of external relays
- Design is based on the European Standard, EN 60204-1
- Complies with MD, EMC, LVD (98/37/EC, 89/336/EEC and 93/68/EEC)

➔ **Technical specifications and physical dimensions, see page 44-45**

Block diagram



Front layout



Terminal description:

- A1(+):** Power supply (+)
- A2(-):** Power supply (-)
- X1*:** Reset, output (+24V)
- X2*:** Reset, input
- 13-14,** NO safety output
- 23-24,** NO safety output
- 33-34:** NO safety output
- 41-42:** NC signal output
- Y13-Y14:** Transistor output
- U+:** +24 VDC output
- ⊥:** Earth

* Used for normal and automatic reset

Order information

Article name	Article no.
NST-2003D / 24 V AC/DC	42042306
NST-2003F / 24 V AC/DC	42042307
NST-2003D / 48-240 V AC	42042308
NST-2003F / 48-240 V AC	42042309

Note: D = detachable terminals
F = fixed terminals