

MODEL LDD - LARGE DIGIT DISPLAY

- 3.32 INCH (84.4 mm) HIGH DIGITS
- 115/230 VAC SWITCH SELECTABLE
- RUGGED STEEL CONSTRUCTION
- AVAILABLE IN 4 OR 6-DIGIT VERSIONS
- AVAILABLE WITH RED OR GREEN LED DISPLAY
- VERSATILE MOUNTING OPTIONS
- TEMPLATE PROVIDED FOR EASY INSTALLATION



- USER INSTALLED INPUT MODULES FOR:
COUNT, RATE, PROCESS TIME, VOLTAGE,
CURRENT & SLAVE DISPLAY



EMC
COMPLIANT



NEMA 4 /
IP65



PARAMETER
LOCKOUT



ALARMS



ANALOG
OUTPUT



COMMUNICATIONS
CAPABILITY

Features are dependent on module installed.

Product Features

The Large Digit Display, Model LDD, is a versatile display which can increase your productivity by offering your plant floor or production area a visual display of their current status, such as counting, rate indication, real time, or any engineering unit required. The LDD is available in either a 4-digit or a 6-digit display version with Red or Green LED displays, that accepts a selection of personality boards to meet your specific application needs.

The LDD Personality Modules serve as the input to the LDD Display. There are 10 different modules to cover a variety of inputs.

Note: The Personality Modules are ordered separately from the LDD Display and the LDD will not function without a module installed. The modules are easily installed in the unit by the user.

Modules are designed to perform exactly as their equivalent APL or IM Series Panel Meters. Programming of IM (Intelligent Meter) Modules is accomplished by connecting Model PGM - Programming Box that provides a set of pushbuttons to mimic those on the equivalent IM Panel Meter. Each module is supplied with a full set of instructions.

The LDD has a sealed front panel which meets NEMA 4/IP65 requirements for wash-down and dusty environments when properly installed. The 3.32" (84.4 mm) digits are readable to 130 feet (40 M).

A full NEMA 4 Enclosure, Shroud, and mounting brackets are available as Accessories. Details may be found in the Accessories Section of the catalog.

Selecting Your Display Components

SIGNAL TYPE	MODEL	LDD DISPLAY REQUIRED	SPEC'D AS: *
Count	PBLT	4 or 6 Digit	APLT
Rate (Time Base)	PBLR	4 or 6 Digit	APLR
Rate (Time Interval)	PBLRI	4 or 6 Digit	APLRI
Rate (IM)	PBI	6 Digit	IMI
Process Time (Decimal Point)	PBLT4	4 Digit	APLPT
Process Time (Chronometer)	PBLPT5	6 Digit	APLPT
Clock/Elapsed Time	PBLCK	6 Digit	APLCK
Voltage	PBD1	6 Digit	IMD1
Current	PBD2	6 Digit	IMD2
Slave Display	PBLSP	4 or 6 Digit	APLSP
Intelligent Slave	PBA	6 Digit	IMA

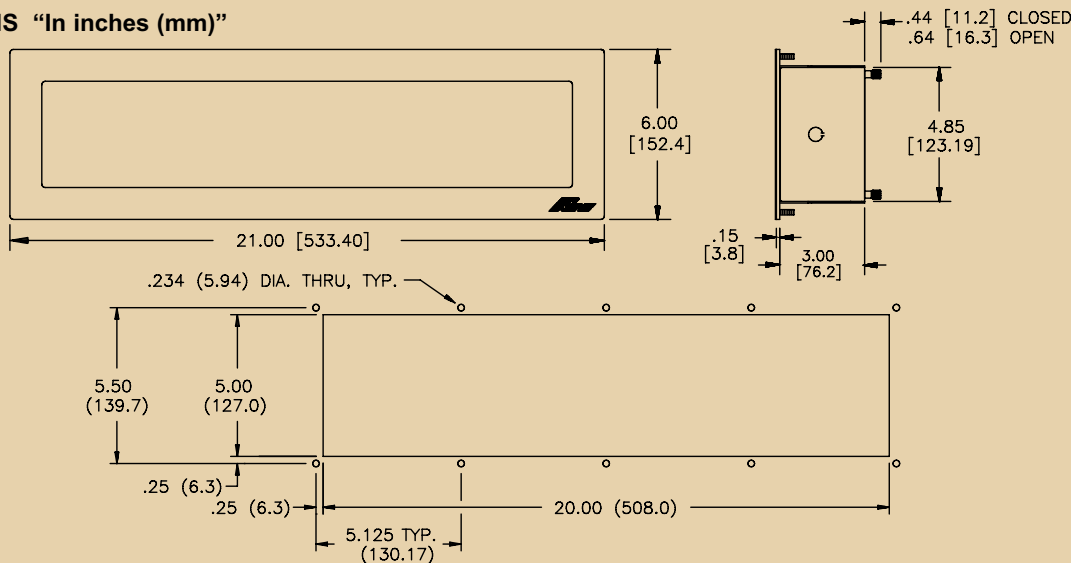
* See corresponding Model information for detailed specifications.



FAX/WEB
DOC # 08002

Click Icon For
User Bulletin

DIMENSIONS "In inches (mm)"



MODEL LDD - LARGE DIGIT DISPLAY

General Specifications

- DISPLAY:** 3.32" (84.4 mm) High, Red or Green LED display.
 - POWER REQUIREMENTS:** Switch selectable 115/230 VAC ($\pm 10\%$), 50/60 Hz, 17 VA 4-digit, 21 VA 6-digit (including module).
 - CONSTRUCTION:** Steel construction textured with polyurethane paint for scratch and corrosion resistance protection. Front panel meets NEMA 4/IP65 requirements for indoor use when properly installed. Installation Category II, Pollution Degree 2. (Panel gasket included with unit.)
 - WEIGHT:** 8 lbs (3.6 kg) (less module).
 - ENVIRONMENTAL CONDITIONS:**
Operating Temperature: SEE MODULE LITERATURE
Storage Temperature: -40 to 70°C
- Operating and Storage Humidity:** 85% max. (non-condensing) over operating range
Altitude: Up to 2000 meters
- CERTIFICATIONS AND COMPLIANCES:**
SAFETY
 EN 61010-1, IEC 1010-1
ELECTROMAGNETIC COMPATIBILITY
 Immunity to EN 50082-2
 Emissions to EN 50081-2
 - MOUNTING REQUIREMENTS:**
 Max. panel thickness is 0.375" (9.5 mm).
 Min. panel thickness for NEMA 4/IP65 sealing is 0.125" (3.2 mm).

Ordering Information

TYPE	MODEL NO.	DESCRIPTION	PART NUMBER
Display	LDD	4-digit, Red Large Digit Display	LDD00400
		4-digit, Green Large Digit Display	LDD0G400
		6-digit, Red Large Digit Display	LDD00600
		6-digit, Green Large Digit Display	LDD0G600
Accessories	MB6	Mounting Brackets	MB600000
	ENC7	LDD NEMA 4/IP65 Enclosure	ENC70000
	SHR	Shroud For LDD	SHR10000
APL Input Modules	PBLCK	Apollo Real Time Clock Module for use with the 6-digit Large Digit Display	PBLCK000
	PBLPT	Apollo 4-digit Process Time Module for use with the 4-digit Large Digit Display	PBLPT400
		Apollo 5-digit Process Time Module for use with the 6-digit Large Digit Display	PBLPT500
	PBLR	Apollo Time Base Rate Module for use with the 4 or 6-digit Large Digit Display	PBLR0600
	PBLRI	Apollo Time Interval Rate Module for use with the 4 or 6-digit Large Digit Display	PBLRI600
	PBLT	Apollo 6-digit Totalizer Module for use with the 4 or 6-digit Large Digit Display	PBLT0600
PBLSP	Apollo BCD Slave Display Module for use with 4 or 6-digit Large Digit Display	PBLSP600	

IM Input Modules *

MODEL NO.	DESCRIPTION	+18 VDC EXCITATION	1. TOTALIZER 2. LINEARIZER 3. PEAK/VALLEY 4. TARE 5. E2-CON 6. EFFICIENCY	DUAL ALARM	SERIAL OUTPUT	4-20 mA ANALOG OUTPUT	PART NUMBER
PBD1	Intelligent Meter Modules For Decade Voltage Inputs*	NO	NO	NO	NO	NO	PBD10000
		YES	NO	NO	NO	NO	PBD10100
		YES	NO	YES	NO	NO	PBD10102
		YES	1, 2, 3, 4, 5	NO	NO	NO	PBD13100
PBD2	Intelligent Meter Modules For Decade Current Input*	NO	NO	NO	NO	NO	PBD20000
		YES	NO	NO	NO	NO	PBD20100
		YES	NO	YES	NO	NO	PBD20102
		YES	1, 2, 3, 4, 5	NO	NO	NO	PBD23100
PBA	Intelligent Serial Slave Display Module*	YES	1, 2, 3, 4, 5	YES	YES	YES	PBD23107
		20 mA SRC	3, 5	NO	YES	NO	PBA04101
		20 mA SRC	3, 5	YES	YES	NO	PBA04104
		20 mA SRC	3, 5	YES	YES	YES	PBA04107
PBI	Intelligent Digital Rate Meter*	+12 VDC	1, 2, 3, 5, 6	NO	NO	NO	PBI04100
		+12 VDC	1, 2, 3, 5, 6	NO	YES	NO	PBI04101
		+12 VDC	1, 2, 3, 5, 6	YES	NO	NO	PBI04102
		+12 VDC	1, 2, 3, 5, 6	NO	NO	YES	PBI04103
PGM	Programming Box						PBI04107
							PGM00000

* Note: All of the above IM Input Modules require a 6-Digit Large Digit Display.