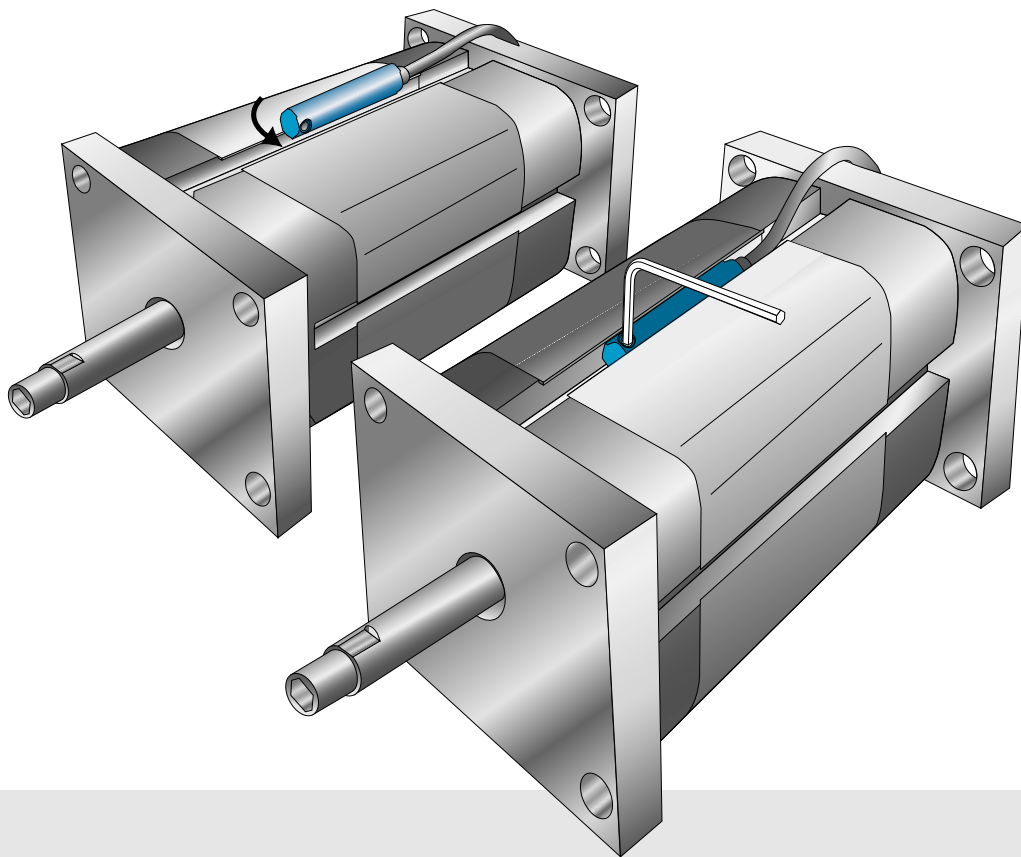


Magnetic cylinder sensors

MZT1 / RZT1

- ▶ Mountable from the top ◀
- ▶ For all common used T-slot cylinder ◀
- ▶ DC 3-wire, Reed AC/DC 3-wire ◀



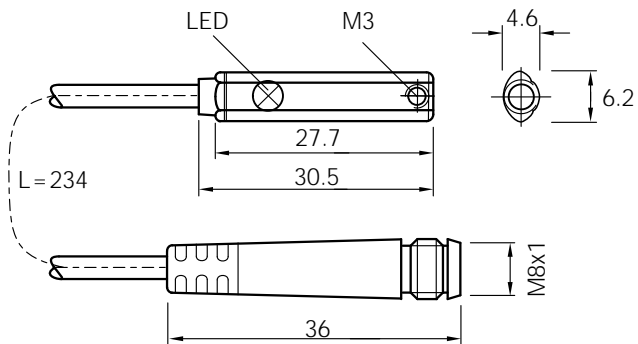


Magnetic cylinder sensors

MZT1 series

DC 3-wire, for T-slot cylinder

Dimensions in mm



Features

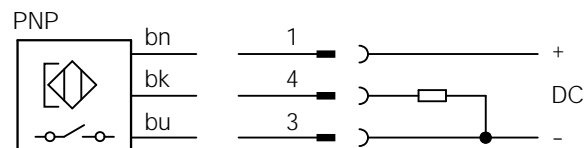


- ▶ Non-contact detection of piston position in pneumatic cylinders
- ▶ **Mountable from the top**
- ▶ For all common used T-slot cylinder e.g. Festo, SMC, Bosch
- ▶ Response sensitivity ≥ 3 mT
- ▶ Plastic housing with clamping screw
- ▶ Connection cable or connector on cable
- ▶ Enclosure rating IP 67
- ▶ LED status indicator
- ▶ Magneto-resistive element

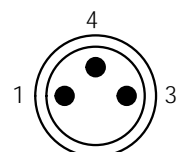
Accessories

Round connector

Connection diagram



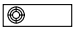
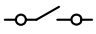

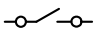
Wire colour	Contact	Assignment
bn brown	1	+ V DC
bk black	4	NO
bu blue	3	- V DC



Electrical and mechanical data

Operating voltage U_b	10 ... 30 V DC	Wire-break protection	yes
Ripple U_{ss}	$\leq 10\%$ of U_b	Short-circuit protection	yes
Voltage drop U_d	≤ 2 V	(pulsed)	
Power consumption (without load)	≤ 10 mA	Reverse polarity protection	yes
Continuous current I_a	≤ 100 mA	Power-up pulse suppression	yes
Time delay before availability t_v	≤ 2 ms	Enclosure rating to DIN 40050	IP 67
Hysteresis H	$\leq 1,5$ mm	Shock and vibration stress	30 g, 11 ms 10 to 55 Hz, 1 mm
Repeatability R (U_b and T_a constant)	$\leq 0,2$ mm	Ambient temperature T_a	- 25 ... + 75 °C
EMC	to EN 60 947-5-2	Housing material	Plastic PA12
		Connection cable 2 m	PVC, 3 x 0,14 mm ²
		Connection cable with M8x1 mm	PUR

Selection table

Response sensitivity in mT	Sensing face	Switching-output	Output function	Switching frequency in Hz	Connection	Type	Order number
3		PNP		5000	Cable 2 m	MZT1-03VPS-KW0	1016809
3		PNP		5000	Cable w. M8 x 1 mm	MZT1-03VPS-KP0	1016910

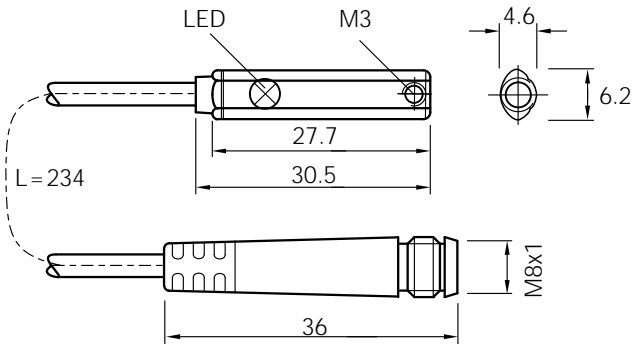


Magnetic cylinder sensors

RZT1 series

Reed AC/DC 3-wire, for T-slot

Dimensions in mm



Features

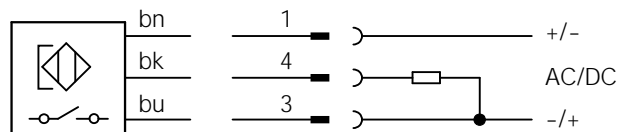


- ▶ Non-contact detection of piston position in pneumatic cylinders
- ▶ **Mountable from the top**
- ▶ For all common used T-slot cylinder e.g. Festo, SMC, Bosch
- ▶ Response sensitivity ≥ 3 mT
- ▶ Plastic housing with clamping screw
- ▶ Connection cable or connector on cable
- ▶ Enclosure rating IP 67
- ▶ LED status indicator

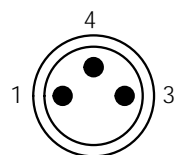
Accessories

Round connector

Connection diagramm




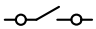

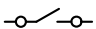
Wire colour	Contact	Assignment
bn brown	1	+ (-)
bk black	4	NO
bu blue	3	- (+)



Electrical and mechanical data

Operating voltage U_b	10 ... 30 V AC/DC	Enclosure rating to DIN 40050	IP 67
Max. switching power	6 W / VA	Shock and vibration stress	30 g, 11 ms 10 to 55 Hz, 1 mm
Continuous current I_a	≤ 500 mA	Ambient temperature T_a	- 25 ... + 75 °C
Switching delay	ON app. 1,5 ms OUT app. 0,5 ms	Housing material	Plastic PA12
Hysteresis H typ.	$\leq 1,5$ mm	Connection cable 2 m	PVC, 3 x 0,14 mm ²
Repeatability R (U_b und T_a constant)	$\leq 0,2$ mm	Connection cable with M8x1 mm connector	PUR
EMC	to EN 60 947-5-2		

Selection table

Response sensitivity in mT	Sensing face	Version	Output-function	Switching frequency in Hz	Connection	Type	Order number
3		Reed		400	Cable 2 m	RZT1-03ZRS-KW0	1016911
3		Reed		400	Cable w. M8 x 1 mm	RZT1-03ZRS-KP0	1016912