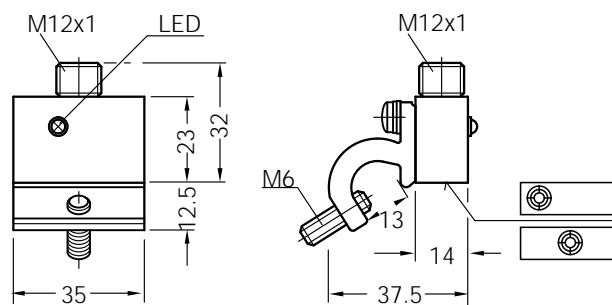
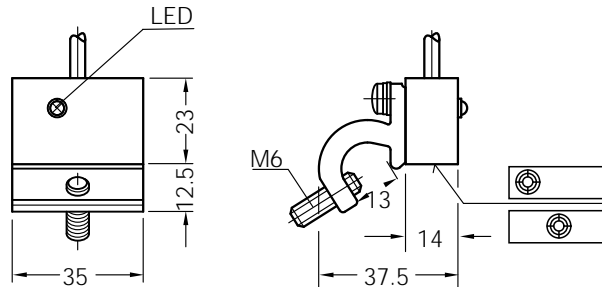


Magnetic cylinder sensors

MZ Z2 series

DC 3-wire, for tie-rod cylinders

Dimensions in mm



Features

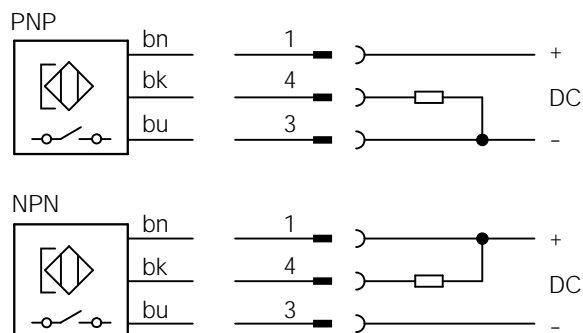


- ▶ Non-contact determination of piston position in pneumatic cylinders
- ▶ Mounting on tie-rods with max. rod diameter of 12.5 mm
- ▶ High response sensitivity ≥ 3 mT
- ▶ Frontal or central sensing face
- ▶ No secondary switching ranges
- ▶ High repeat accuracy
- ▶ Actuating speed ≤ 5 m/s
- ▶ PNP or NPN output
- ▶ Short-circuit protection (pulsed)
- ▶ Solid aluminium construction with integrated mounting and plastic housing
- ▶ Cable or connector
- ▶ Enclosure rating IP 67
- ▶ LED status indicator

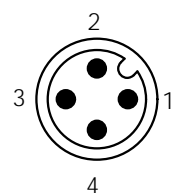
Accessories

Round connectors

Connection diagram




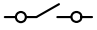

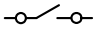

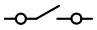

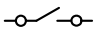


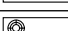
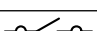
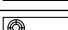
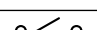

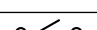
Wire colour	Contact	Assignment
bn	brown	1 + V DC
bk	black	4 NO
bu	blue	3 - V DC
	2	free



Electrical and mechanical data

Operating voltage U_b	10 ... 30 V DC	Wire-break protection	yes
Ripple U_{pp}	$\leq 10\%$ of U_b	Short-circuit protection (pulsed)	yes
Voltage drop U_d	≤ 1.5 V at I_a max.	Reverse polarity protection	yes
Power consumption (without load)	≤ 10 mA	Power-up pulse suppression	yes
Continuous current I_a	≤ 300 mA	Enclosure rating to DIN 40050	IP 67
Time delay before availability t_v	≤ 2 ms	Shock and vibration stress	30 g, 11 ms 10 to 55 Hz, 1 mm
Hysteresis H	≤ 1.0 mm	Ambient temperature T_a	- 25 ... + 75 °C
Repeatability R (U_b and T_a constant)	≤ 0.1 mm	Housing material	Aluminium, plastic
EMC	to EN 60 947-5-2	Connection cable	PUR-PVC, 3 x 0.25 mm ²

Selection table

Response sensitivity in mT	Sensing face	Switching output	Output function	Switching frequency f in Hz	Connection	Type	Order number
3		PNP		5000	Cable 2 m	MZZ2-03ZPS-KU0	7900618
3		NPN		5000	Cable 2 m	MZZ2-03ZNS-KU0	7900619
3		PNP		5000	Connector M12 x 1 mm	MZZ2-03ZPS-KC0	7900620
3		NPN		5000	Connector M12 x 1 mm	MZZ2-03ZNS-KC0	7900621
3		PNP		5000	Cable 2 m	MZZ2-03VPS-KU0	7900622
3		NPN		5000	Cable 2 m	MZZ2-03VNS-KU0	7900623
3		PNP		5000	Connector M12 x 1 mm	MZZ2-03VPS-KC0	7900624
3		NPN		5000	Connector M12 x 1 mm	MZZ2-03VNS-KC0	7900625

Series is available as NAMUR-version on request.