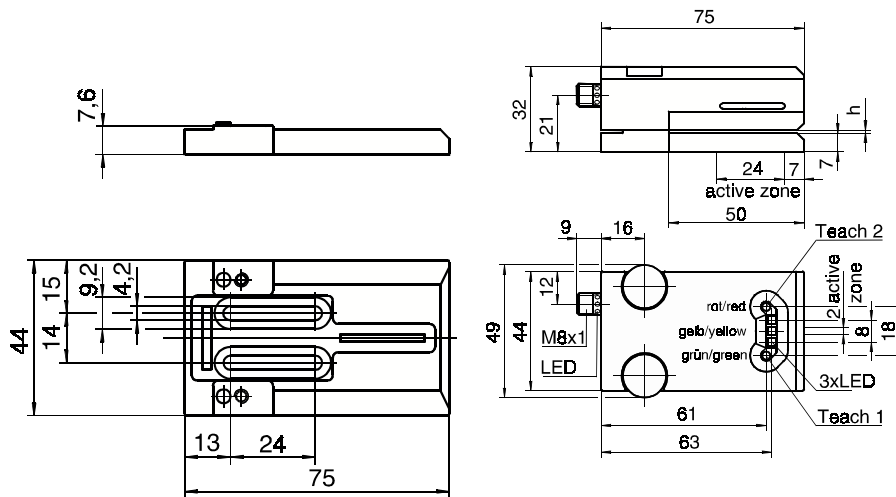
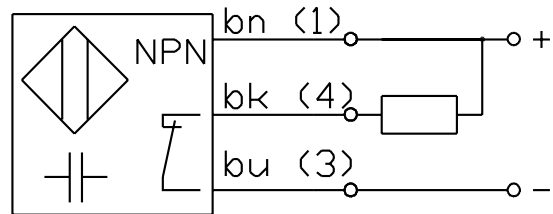
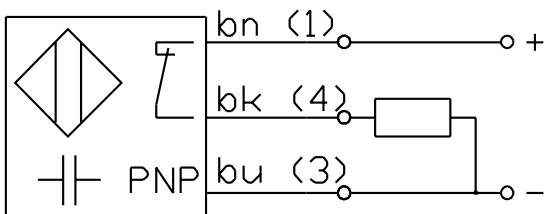

SK1 SERIES LABEL SENSOR

- Detection of transparent labels
- Touch to Teach
- Norm open/Norm closed programmable
- LED indication X3
- Fast response speed
- Also for detection of glue traces and cracks

GENERAL SPECIFICATIONS

Model	SK1S4754432 PXY1 SK1S4754432 NXY1	SK1S6754432 PXY1 SK1S6754432 NXY1
Slot width (h)	0.4mm	0.6mm
Material thickness	≤0.35mm	0.35mm to 0.55mm
Tape speed	<500m/min	
Max frequency	≤2KHz	
Label length	2mm min	
Repeat accuracy	0.05mm (23°C ± 5°C)	
Supply voltage	10 - 30 VDC	
Output	NPN or PNP	
Operating mode	Norm open/Norm closed programmable	
Output current	200mA max	
Volt drop	2.5Vmax	

DIMENSIONS

CONNECTION DIAGRAMS

ORDERING GUIDE

Type Number	Description	Output
SK154754432PXY1	Label sensor 0 - 4mm GAP	PNP
SK154754432NXY1	Label sensor 0 - 4mm GAP	NPN
SK156754432PXY1	Label sensor 0 - 6mm GAP	PNP
SK156754432NXY1	Label sensor 0 - 6mm GAP	NPN