

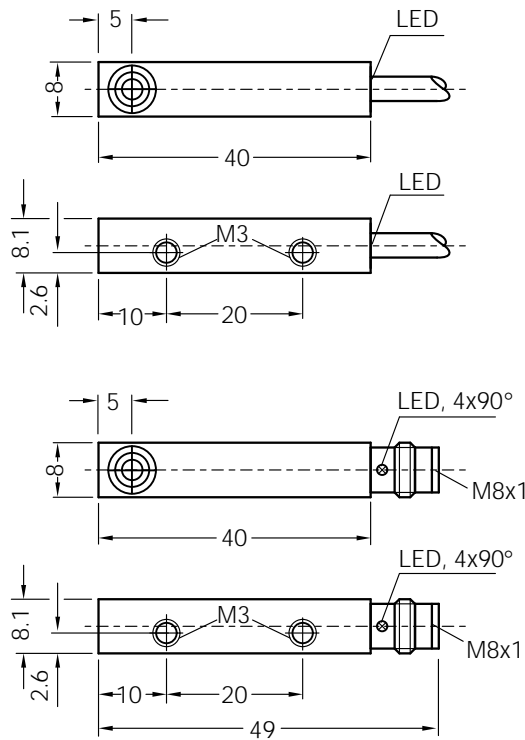


Inductive proximity sensors

IQ 08 series, sensing range 2 / 4 mm

DC 3-wire, plastic housing

Dimensions in mm



Features

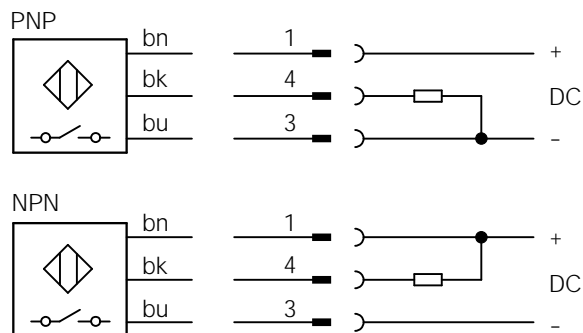


- ▶ Can be installed flush or non-flush in metal
- ▶ PNP or NPN output
- ▶ High switching frequency
- ▶ Short-circuit protection (pulsed)
- ▶ Small plastic housing
- ▶ Cable or connector
- ▶ Enclosure rating IP 67
- ▶ LED status indicator (with 4 x 90° connectors)
- ▶ For the series IQ08-04N the added plastic screws shall be used
- ▶ Installation notes see page 17

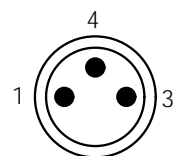
Accessories

Round connectors

Connection diagram



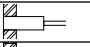
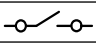
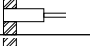
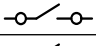

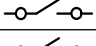

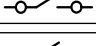

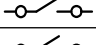
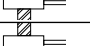
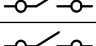
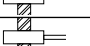
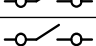


Wire colour	Contact	Assignment
bn brown	1	+ V DC
bk black	4	NO
bu blue	3	- V DC



Electrical and mechanical data

Operating voltage U_b	10 ... 30 V DC	Wire-break protection	yes
Ripple U_{pp}	$\leq 10\%$ of U_b	Short-circuit protection (pulsed)	yes
Voltage drop U_d	≤ 1.5 V at I_a max.	Reverse polarity protection	yes
Power consumption (without load)	≤ 10 mA	Power-up pulse suppression	yes
Continuous current I_a	≤ 300 mA	Enclosure rating to DIN 40050	IP 67
Time delay before availability t_v	≤ 2 ms	Shock and vibration stress	30 g, 11 ms 10 to 55 Hz, 1 mm
Hysteresis H	1% - 10% of s_r	Ambient temperature T_a	- 25 ... + 75 °C
Repeatability R (U_b and T_a constant)	$\leq 1\%$ of s_r	Housing material	Plastic
Temperature drift	$\pm 10\%$ of s_r	Connection cable	PUR-PVC, 3 x 0.25 mm ²
EMC	to EN 60 947-5-2		

Selection table

Sensing range s_n mm	Installation in metal	Switching output	Output function	Switching frequency f in Hz	Connection	Type	Order number
2		PNP		5000	Cable 2 m	IQ08-02BPS-KU0	7900195
2		NPN		5000	Cable 2 m	IQ08-02BNS-KU0	7900196
2		PNP		5000	Connector M8 x 1 mm	IQ08-02BPS-KT0	7900197
2		NPN		5000	Connector M8 x 1 mm	IQ08-02BNS-KT0	7900198
4		PNP		5000	Cable 2 m	IQ08-04NPS-KU0	7900199
4		NPN		5000	Cable 2 m	IQ08-04NNS-KU0	7900200
4		PNP		5000	Connector M8 x 1 mm	IQ08-04NPS-KT0	7900201
4		NPN		5000	Connector M8 x 1 mm	IQ08-04NNS-KT0	7900202